

Pin & Pin Roller Bearing

Application range

Suitable for a wide range of bridges including truss bridges

High Quality

- High toughness proven by Charpy impact test
- High performance material used for rollers

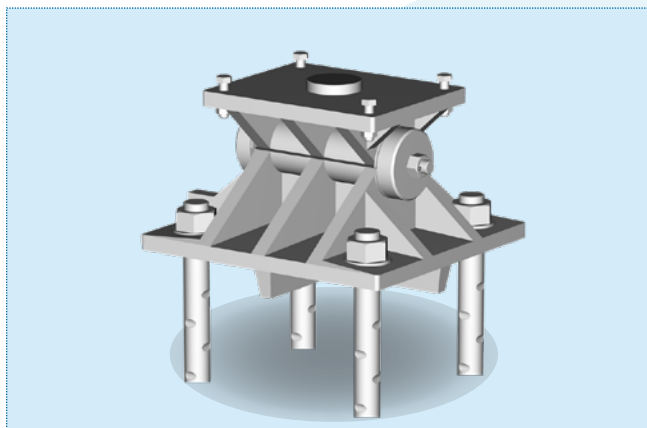
High Durability

- Corrosion protection by hot-dip galvanizing or Aluminum-Magnesium spraying (TAPSR method)

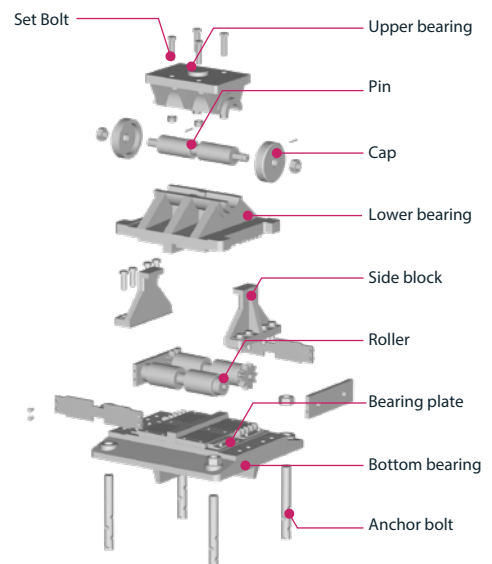
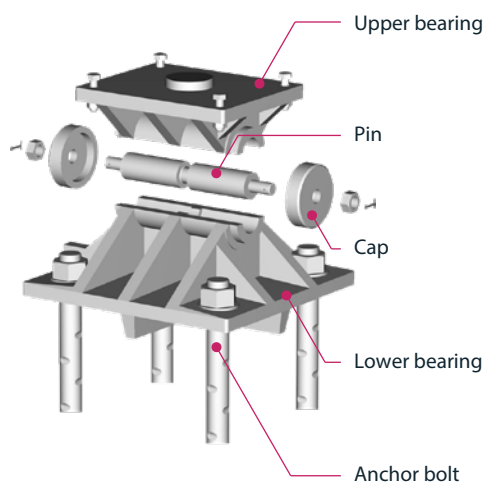
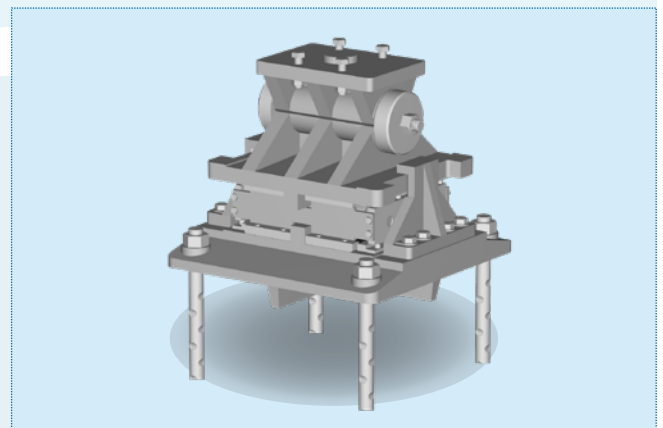
Size Line-up

- A broad line-up of pin/pin roller bearings for supporting small to large vertical loads
- Vertical load capacity up to 15,000 kN

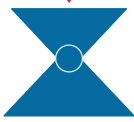
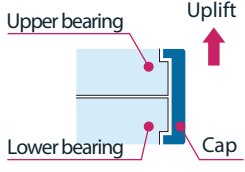

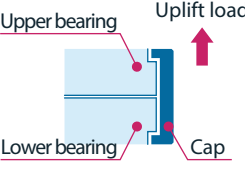
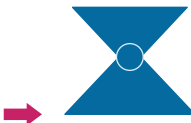
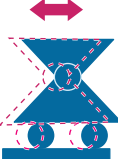
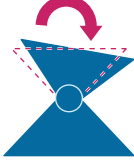
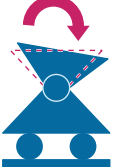
Pin Bearing



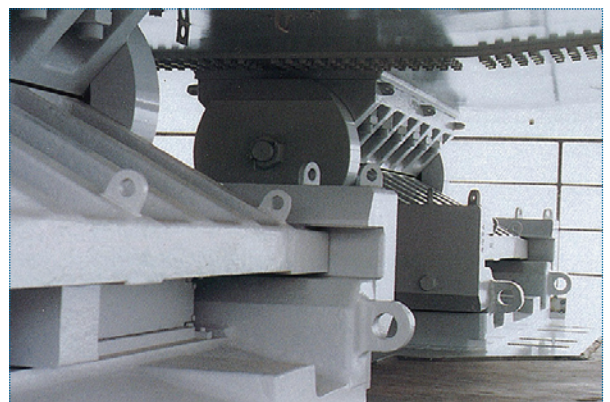
Pin Roller Bearing



Functions

	Pin Bearing		Pin Roller Bearing	
Vertical load	<p>Dead load, Live load, ...</p>  <p>Ordinary</p>	 <p>Upper bearing Uplift Lower bearing Cap</p> <p>Earthquake</p>	<p>Dead load, Live load, ...</p>  <p>Ordinary</p>	 <p>Upper bearing Uplift load Lower bearing Cap</p> <p>Earthquake</p>
Horizontal load	 <p>Vehicle braking load, Seismic loading, ...</p> <p>Ordinary & Earthquake</p>		 <p>Expansion of girder due to temperature variations</p> <p>Ordinary times & Earthquake</p>	
Rotation	 <p>Upper bearing Pin Lower bearing</p> <p>Rotatable amount Standard:6%</p> <p>Ordinary</p>		 <p>Upper bearing Pin Lower bearing</p> <p>Rotatable amount Standard:6%</p> <p>Ordinary</p>	

Application Examples



Kawakin Core-Tech Co., Ltd.

Head Office : 2-2-7, Kawaguchi, Kawaguchi-city, Saitama, 332-0015, JAPAN
 TEL: +81-48-259-1117 FAX: +81-48-259-1137
 Email: info@kawakinkk.co.jp
 Branch/Plant : Ibaraki / Tokyo / Osaka / Sendai / Sapporo / Vietnam

Tomorrow's Technology, Today.

Kawakin Holdings Group

Issued 01/2017

www.kawakinco.jp